

Granted patent United Kingdom and Malaysia

Weatherproof design

Dual speed cushioning

Low 24DC operation



Scan here

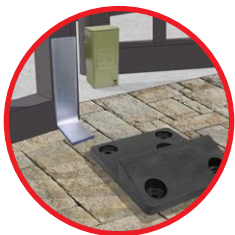
Effectively enhance safety and convenience while creating prestigious entrance to your home

Enjoy the convenience of automation

Swing Autogate

MAG SW200P is has been carefully designed and thoroughly tested for tough weather condition, heavy rain, lightning storm, high temperature and high humidity. Its performance is continuously refined by 20 years of experience and proven by sucessful installation worldwide.

MAG swing autogate utilize revolutionary 8 springs slip-clutch designs and oil bath motor to ensure quiet operation, smooth movement, safer usage and longer mechanical life time. MAG is the brand of confidence and highest standard in its class.



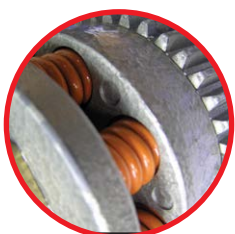
1 Higher Security

Easier Manual Release. Gate is securely locked to avoid intrusion.



2 Clean Installation

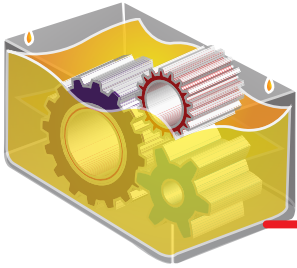
Motor is fully concealed underground. No more bulky motor on the gate.



3 Superior Mechanical

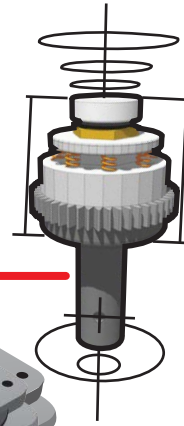
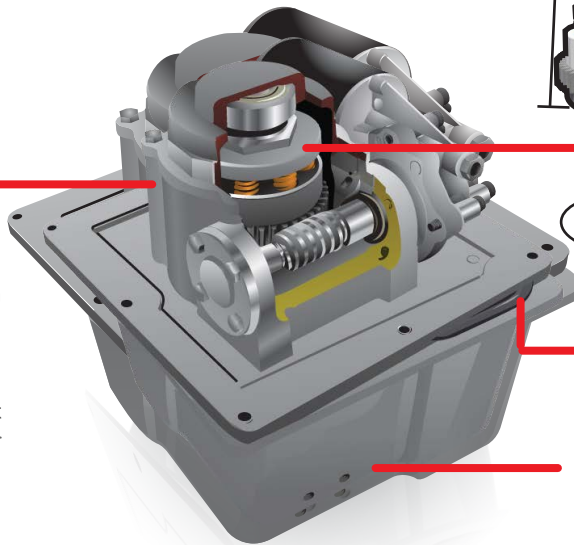
Bigger gear box, 8 SAC clutch and oil bath motor works hand-in-hand to give you long lasting performance

SW200P underground swing autogate operator



Oil bath system

In any mechanical system, oil bath motor is always better than greased motor. Gear box is fully submerged in oil during operation. This gives you longer life time and more quiet operation compared to any other greased motor.



8-SAC Real clutch

Automatically suspends gate's movement if it encounters any obstacle such as vehicle, human and animal in its travelling path. Good safety feature and avoid motor to overload itself. Balanced force from the springs allow a more powerful and smooth gate movement.

Thicker rubber gasket

Together with proper installation will effectively prevent water from leaking into actuator.

Fully cast alloy housing and base

Rust prove material ensure consistent performance for year to come.



Time proven control board

MAG board is manufactured in Malaysia with top quality components to guarantee consistent performance for years to come. Our firmware is written based on our 20 years of site experience in autogate.

Simple operation

Using remote control or push button. One button to fully open two gate leaves and another button to open only one leaf. Press button to stop leaf at any angle and press again to resume movement. Manual key to open during power failure.

Technical specification

Description	Parameter
Power consumption	12-24V DC, 25 Watt per actuator
Max leaf weight	200 KG
Max rotation angle	360° rotation
Traveling speed	8-10 second for 90° opening
Material / casing	Rust resistance cast alloy for actuator housing & base casing Weatherproof ABS for controller box
Remote control range	Effective 30 meters, max 50 meters

Ordering info

Model	Description
SW200P1	Optimized economical solution
SW200P2	Standard - higher grade components with more functions
SW200P3	Built-in charger for backup battery function



Electric Rimlock set

Accessories : Push button plate, additional remote control transmitter.

Push button on an elegant plastic plate is mounted inside the house

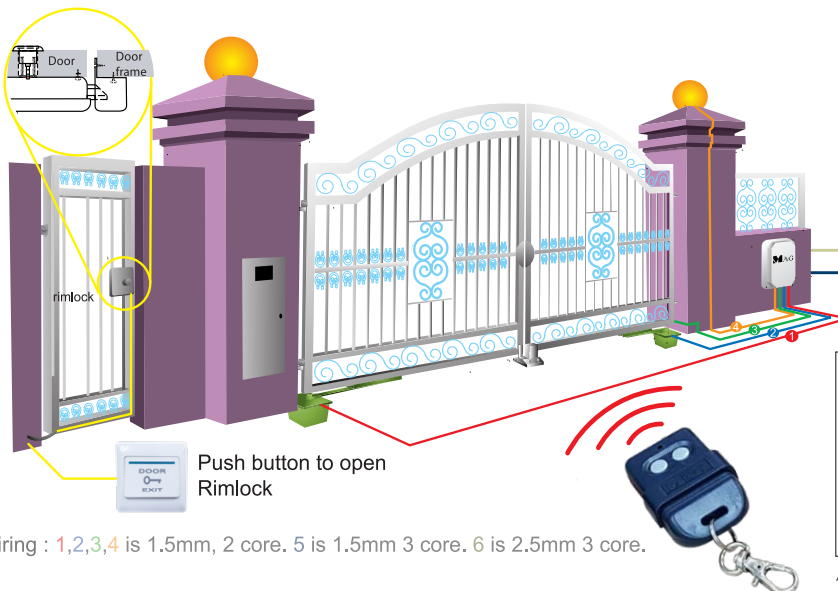


Single leaf operation

Both leaf operation



Installation diagram



Authorised Dealer:



All specification, drawing and product info are subject to change without prior notice.

ACB QMS 05
MS No.: 05 100 20010