

# 2MP IR Fixed Explosion-Proof Bullet Network Camera

EXC2300-IR



## Key Features

### Optics

- Day/night functionality
- 2D/3D DNR (Digital Noise Reduction)

### Compression

- H.265, H.264, MJPEG
- Customized OSD
- Triple streams

### Network

- ONVIF Conformance

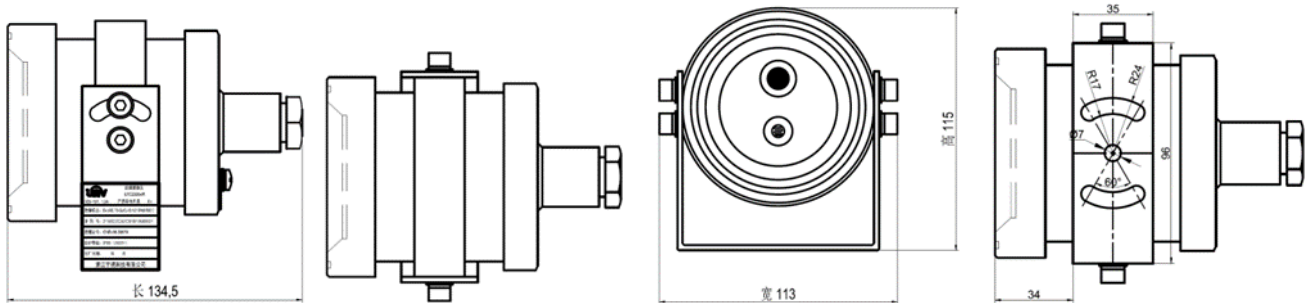
### Structure

- Wide temperature range: -30°C to 60°C (-22°F to 140°F)
- IP68

## Specifications

	EXC2300-IR				
<b>Camera</b>					
Sensor	1/2.7", 2.0 megapixel, progressive scan, CMOS				
Lens	4mm@F1.6				
DORI Distance	Lens	Detect(m)	Observe(m)	Recognize(m)	Identify(m)
	4.0mm	60.0	24.0	12.0	6.0
Angle of View (H)	86.5°				
Angle of View (V)	44.1°				
Angle of View (D)	106.4°				
Shutter	Auto/Manual, 1~1/100000 s				
Minimum Illumination	Colour: 0.005 Lux (F2.0, AGC ON) 0lux with IR on				
Iris	Auto/Manual, F1.6				
Digital noise reduction	2D/3D DNR				
Day/Night	IR-cut filter with auto switch (ICR)				
S/N	>52dB				
<b>Video</b>					
Video Compression	H.265, H.264, MJPEG				
H.264 code profile	Baseline profile, Main Profile, High Profile				
Frame Rate	Main Stream:2MP (1920*1080): Max. 30 fps;				
OSD	Time OSD, Custom OSD				
Privacy Mask	Supported				
ROI	Up to 8 areas				
<b>Smart</b>					
Behavior Detection	Motion detection, cross line, intrusion, entering area, leaving area, wandering detection, rapid movement, personnel gathering, illegal parking, legacy detection, article removal detection				
Anomaly Detection	Occlusion detection, Scene change, Defocus				
Intelligent Snapshot	Face snapshots, Timing snapshots, Time-lapse snapshot, Events snapshots				
Statistical Analysis	People counting				
<b>Network</b>					
Protocols	L2TP, IPv4, IGMP, ICMP, ARP, TCP, UDP, DHCP, PPPoE, RTP, RTSP, DNS, DDNS, NTP, FTP, UPnP, HTTP, SNMP, HTTPS, SIP				
Compatible Integration	ONVIF, GB/T28181, IMOS, API				
<b>Interface</b>					
Network	10/100M Base-TX Ethernet				
<b>General</b>					
Power	DC12V(±25%) , PoE(IEEE802.3af)				
	Power consumption: Max 5W				
Dimensions (L × W × H)	134.5 × 113 × 115 mm (5.3" × 4.4" × 4.5")				
Weight	2.30kg (5.07lb)				
Working Environment	-30°C ~ +60°C (-22°F ~ 140°F), Humidity :5%~95% RH(non-condensing)				
Ingress Protection	IP68				

## Dimensions



**Zhejiang Uniview Technologies Co., Ltd.**

Building No.10, Wanlun Science Park, Jiangling Road 88, Binjiang District, Hangzhou, Zhejiang, China (310051)

Email: [overseasbusiness@uniview.com](mailto:overseasbusiness@uniview.com); [globalsupport@uniview.com](mailto:globalsupport@uniview.com)

<http://www.uniview.com>

©2018 Zhejiang Uniview Technologies Co., Ltd. All rights reserved.

\*Product specifications and availability are subject to change without notice.